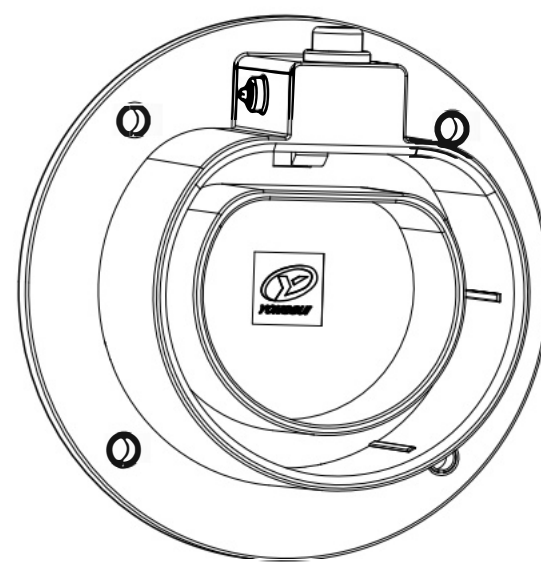
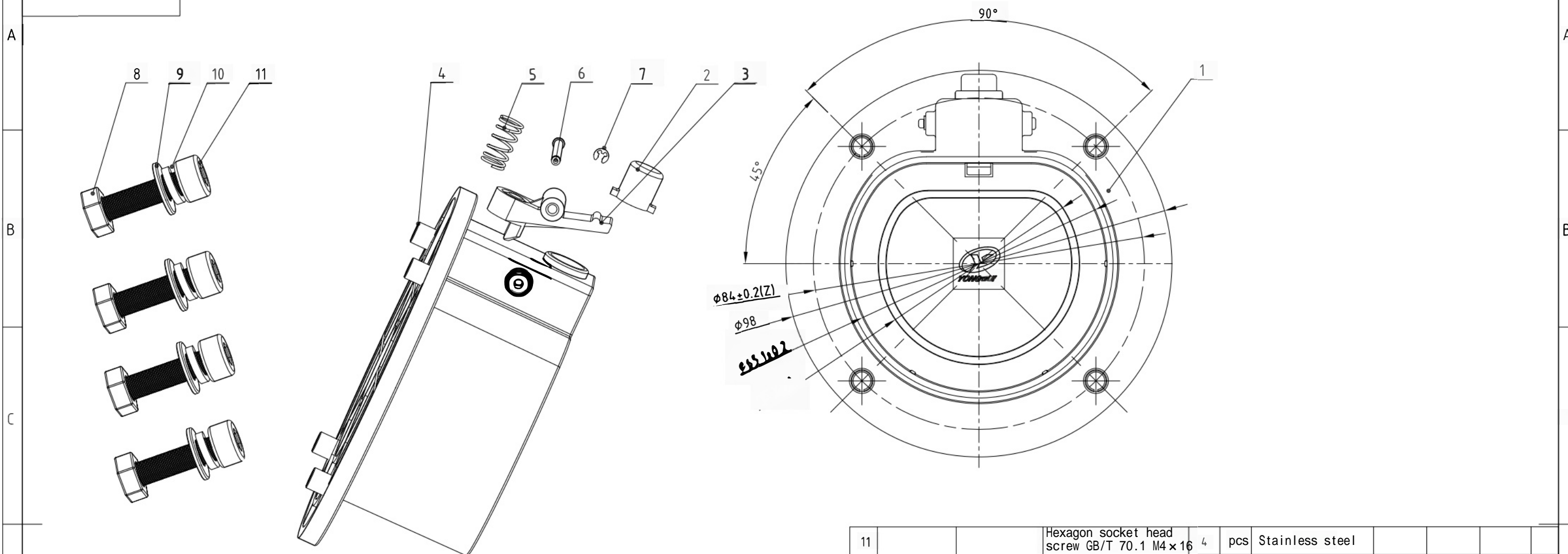


Barcode

标记 更改单号 版本 区域 说明



11		Hexagon socket head screw GB/T 70.1 M4 x 16	4	pcs	Stainless steel				
10		Spring washer GB/T 934	4	pcs	Stainless steel				
9		Flat washer GB/T 97.14	4	pcs	Stainless steel				
8		Type 1 hexagonal nut GB/T 6170 M4	4	pcs	Stainless steel				
7		Open retaining ring GB/T 8961.5	1	pc	Stainless steel				
6		YG691 AC socket flip latch (new)	1	pc	304				
5		YG1348 rubber button spring	1	pc					
4		YG722 screw sleeve	4	pcs					
3		YG740C EN empty seat pressure plate	1	pc					
2		YG740C EN empty seat button	1	pc					
1		YG740C ENAC empty seat housing	1	pc					

序号 NO.	编号 DRAWING No.	产品编码 PART NO.	名称 DESCRIPTION	数量 QTY.	单位 UNIT.	材料 MATERIAL	单件重量 SINGLE WEIGHT	总计重量 TOTAL MASS	备注 NOTE
			涂覆 FINISH						
重要度分级			B	材料 MATERIAL					
设计 DESIGN				名称 DESCRIPTION		YG740C欧标交流一体式空座组件 (M4x16)	产品编码 PART NO. 111009802207		
审核 CHECKED				投影关系 FIRST ANGLE PROJECTION		重量 MASS g 幅面 SIZE A3 比例 SCALE 1:1 版本 EDITION S 0.0			
工艺 ENG NEER				批 准 APPROVAL		面积 AREA mm² 第 1 页 共 1 页 PAGE 1 PAGES			
会签 COUNTER SIGN.				客户 CUSTOMER					
标准化 STANDARDIZATION				THIS DRAWING IS SUPPLIED FOR INFORMATION ONLY. DESIGN FEATURES, SPECIFICATIONS AND PERFORMANCE DATA SHOWN HEREON ARE THE PROPERTY OF THE YONGGUI. NO RIGHTS OF REPRODUCTION ARE IMPLIED.					

Performance Index:

- 1.Environmental performance: Operating ambient temperature -30 ~+50
- 2.Service life: Plugging and unplugging 10,000 times
- 3.Interchangeability: Smooth insertion, no interference or stagnation