	product name	ESC-HPB 350 Connector	File No	/
	product code	/	Version	A 1


ESC-HPB 350 connector Technical Specification

Compilation/Date Zhang Tao 20 24 . 02 . 28

Review/date Yu Zonghai 202 4. 02. 28

Approval /Date Wu Hong 202 4. 02. 28

Form Number	department	page number
J3-7.3-48	Vehicle Product Center	page 1of 9


	product name	ESC-HPB 350 Connector	File No	/
	product code	/	Version	A 1

Changes and Revisions

<input type="checkbox"/> Change <input type="checkbox"/> Revision	date	Change or revise major matters	Modified/Revis	approver
<input type="checkbox"/> Change <input checked="" type="checkbox"/> revision	2 024.02.28	Installation hole size adjustment: from diameter to thread specification	Zhang Tao0	Wu Hong
<input type="checkbox"/> Change <input type="checkbox"/> Revision				
<input type="checkbox"/> Change <input type="checkbox"/> Revision				

send

number	Name	department	Position	Contact information
1				
2				
3				
4				
5				
6				
7				
8				
9				
10				
11				
12				
13				
14				
15				
16				
17				
18				
19				
20				

	product name	ESC-HPB 350 Connector	File No	/
	product code	/	Version	A 1

1. Product model and code


No.	Product Model	Order No .	Cable specification	Note
1	ESC- HPB 350-095 - PY plug	112030107370	95 mm ²	Positive-Orange
2	ESC- HPB 350-120 - PY plug	112030107372	120 mm ²	
3	ESC- HPB 350-095 - PB plug	112030107371	95 mm ²	Negative-Black
4	ESC-HPB 350- 120 -PB plug	112030107373	120 mm ²	
5	ESC-HPB 350- 081 - RY receptacle	112040107604	M8 waist hole	Positive-Orange
6	ESC-HPB 350- 082 - RY receptacle	112040107606	M8 threaded hole	
7	ESC-HPB 35 0- 081 - RB receptacle	112040107605	M8 waist hole	Negative-Black
8	ESC-HPB 35 0- 082 - RB receptacle	112040107607	M8 threaded hole	

2. Specification

2.1. Electrical Characteristics:

Number of Pins	1
Terminal specifications	∅ 12 mm
Rated Current	300A (95mm ²) / 350A (120mm ²)
Rated Voltage	1500V DC
Voltage Proof	6800V AC 50Hz
Contact Resistance	≤0.2 mΩ
Insulation Resistance	≥100MΩ
Temperature Rise	≤45K

Form Number	department	page number
J3-7.3-48	Vehicle Product Center	page 3of 9

	product name	ESC-HPB 350 Connector	File No	/
	product code	/	Version	A 1

2.2. Mechanical Characteristics:

Mechanical life Durability	≥100 cycles
Protection Class	IP67 (Mated)
Flame Rating	UL94 V0 (Bulk Material)

2.3. Material and Finish:

Material	Insulator: Engineering plastics Rubber parts: Silicon rubber Contact: Copper alloy
Surface Treatment	Silver / Tin

2.4. Working environment (Environmental data):

Operating Temperature	-40°C ~ +125°C
Relative Humidity	5% ~ 95%
Vibration/Shock	QC/T 1067.1-2017 Vibration level V1

3. Material Introduction


Cable specification	95 mm ² / 120 mm ²
Cable Diameter OD Cable Diameter OD	18.70 ± 0.5 mm / 20.50 ± 0.5 mm
Termination Method	Plug: Double B type crimping or hexagonal crimping receptacle: thread locking M 8 torque 10N•m-12N•m
Installation Method	Screw M 4 Screw
Installation Torque	2 ± 0.2 N•m
Locking Method	CPA (Connector Position Assurance)
Preventing Misinsertion	Color Preventing Mechanical Preventing

3.1. Application: Power transmission of energy storage system (battery pack)

3.2. According To Standards: UL4128, QC/T 1067.1-2017


3.3. Environmental Protect Data: RoHS 2.0

Form Number	department	page number
J3-7.3-48	Vehicle Product Center	page 4 of 9

	product name	ESC-HPB 350 Connector	File No	/
	product code	/	Version	A 1

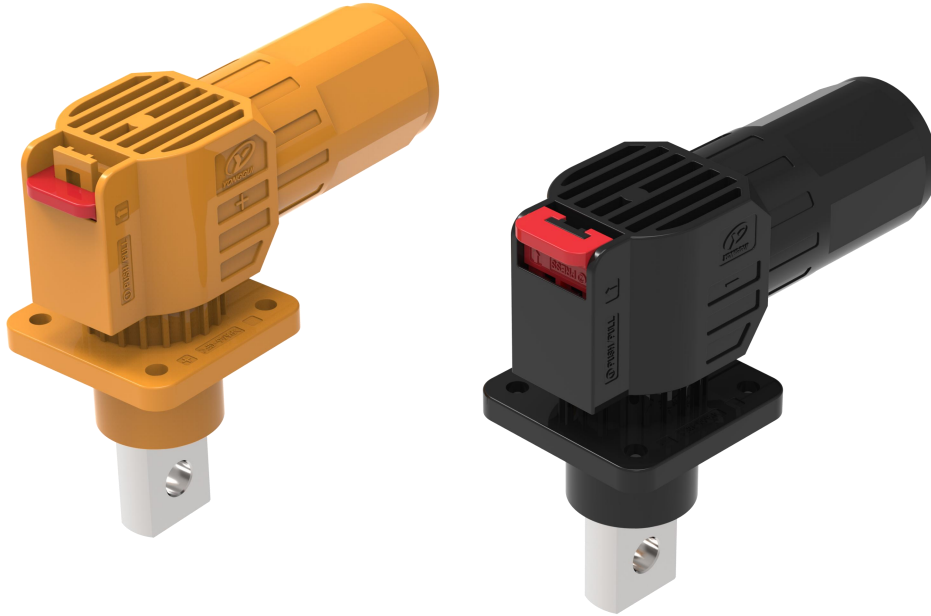
3.4. Security Authentication: CE, UL4128, T UV

Form Number	department	page number
J3-7.3-48	Vehicle Product Center	page 5 of 9

	product name	ESC-HPB 350 Connector	File No	/
	product code	/	Version	A 1

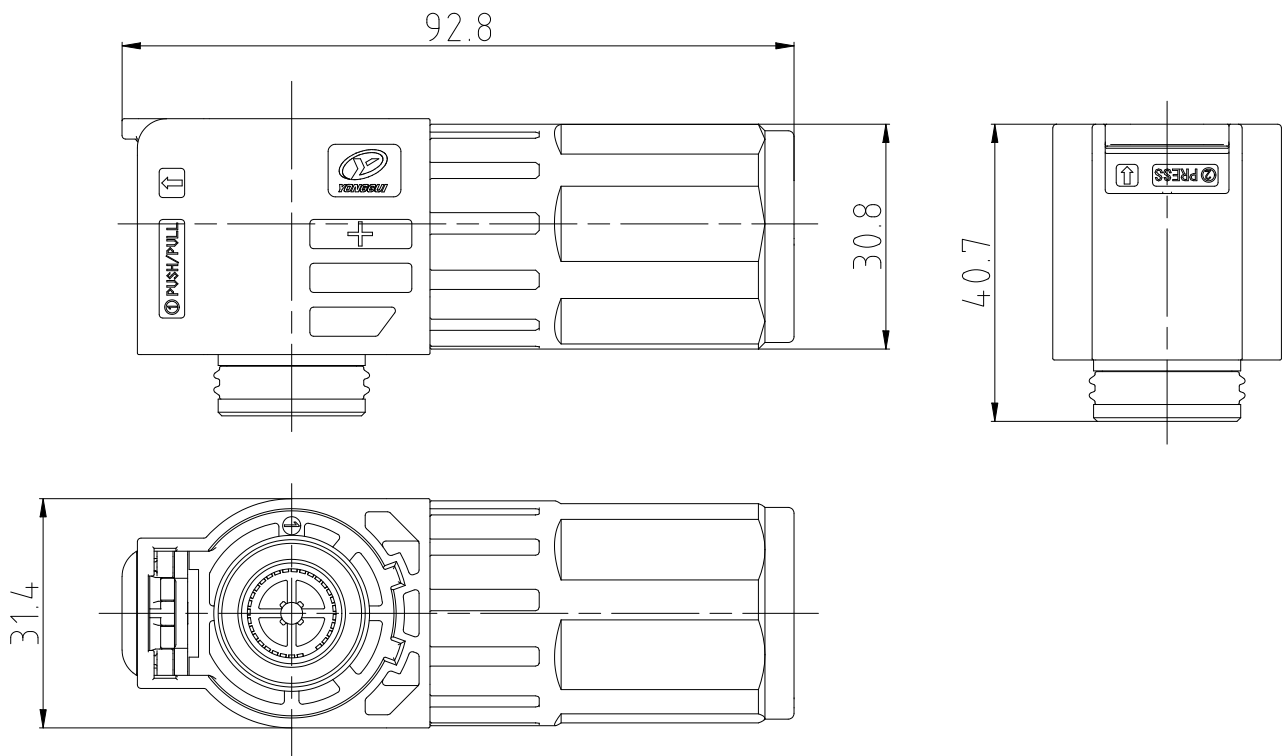
Outline Dimension

4.1. Product Outline:




4.2. Product Outline Dimension:

4.2.1. Plug Outline Dimension

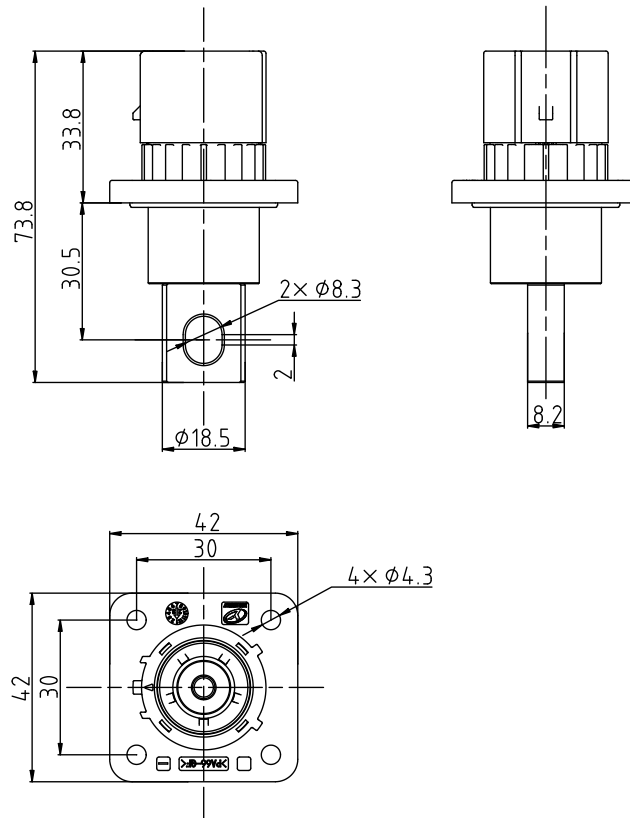


Form Number	department	page number
J3-7.3-48	Vehicle Product Center	page 6 of 9

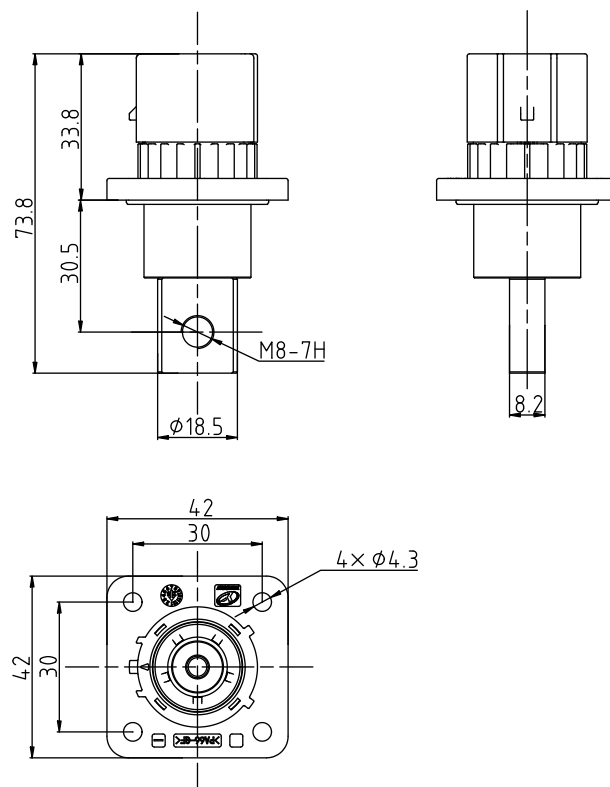
	product name	ESC-HPB 350 Connector	File No	/
	product code	/	Version	A 1

4.2.2. receptacle Outline Dimension


(1) .E SC- HPB350 -081 receptacle series



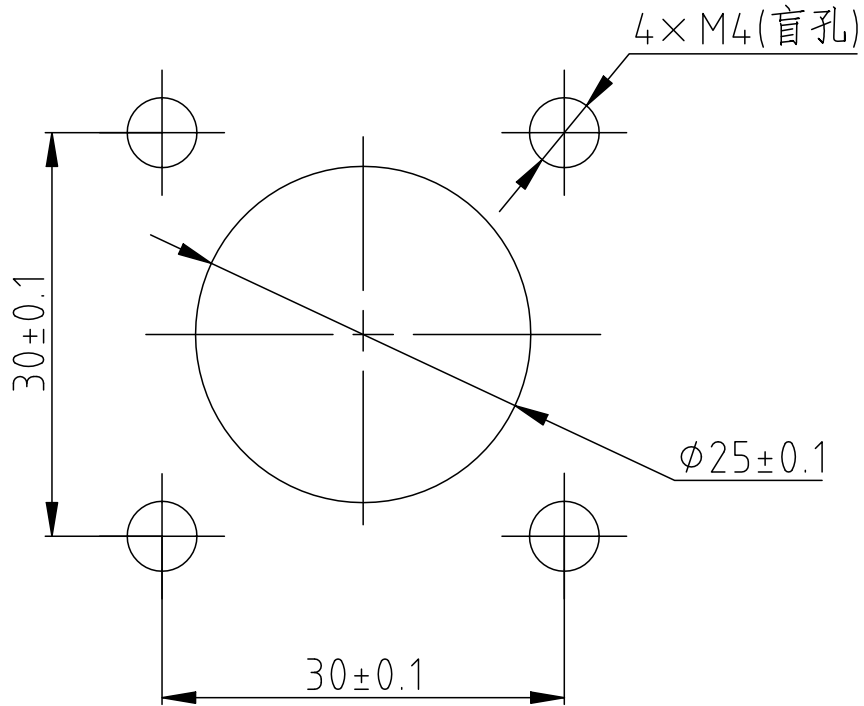
(2) .E SC- HPB350 -082 receptacle series




Form Number	department	page number
J3-7.3-48	Vehicle Product Center	page 7 of 9

	product name	ESC-HPB 350 Connector	File No	/
	product code	/	Version	A 1

4.2.3. Installing Holes Dimension



Form Number	department	page number
J3-7.3-48	Vehicle Product Center	page 8 of 9

	product name	ESC-HPB 350 Connector	File No	/
	product code	/	Version	A 1

5. Description and Packaging Storage

5.1. The connector should be used within the provided technical parameter range, and the product should be installed, used and maintained in strict accordance with the product instruction manual.

Connectors should be used within the specification that provided, Install, use and maintain the products according to the documents.

5.2. Packaging: Carton packing, moisture-proof treatment .

5.3. Storage Spec:

Products packed into boxes should be stored in a warehouse with an ambient temperature of -10°C to $+40^{\circ}\text{C}$, a relative humidity below 80%, and no acidic, alkaline or other corrosive gases in the surrounding air. The storage period shall not exceed two years from the date of production. .

The packaged products shall be stored in the warehouse within the temperature of $-10^{\circ}\text{C}\sim+40^{\circ}\text{C}$, relative humidity less than 80%, and no acid, alkaline or other corrosive gases in the surrounding air. The storage period shall not exceed two years from the production date.

Form Number	department	page number
J3-7. 3-48	Vehicle Product Center	page 9 of 9